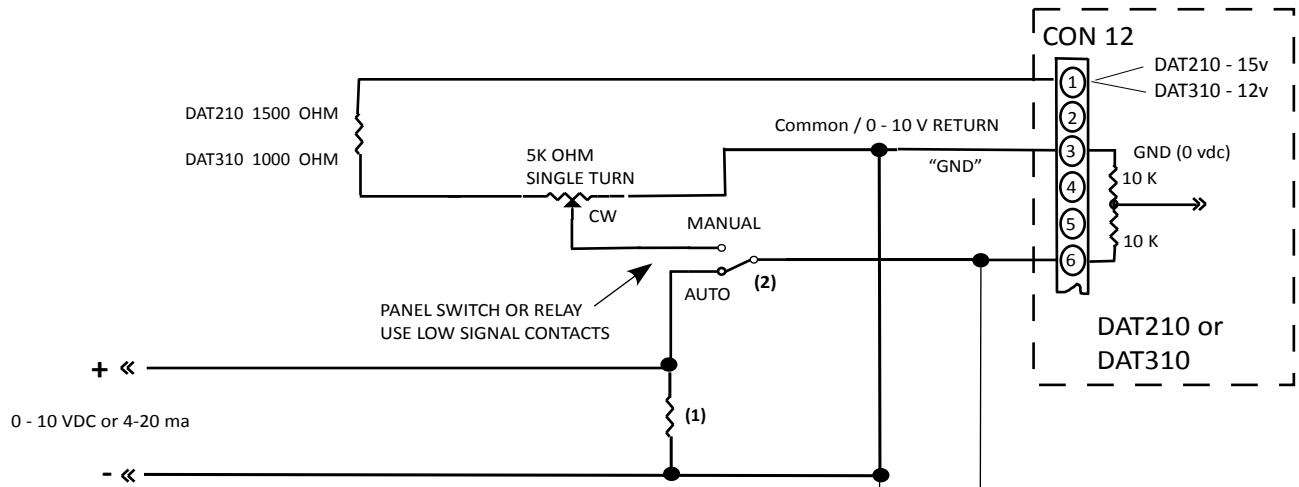


## DAT210 SINGLE UNIT DUAL CONTROL (LOCAL - REMOTE)

0 - 10 VDC or 4-20ma AUTO/MANUAL TRANSFER SWITCH CONTROL LOOP



**NOTES:**

1. 4-20 ma SYSTEMS - 500 OHM / ½w OR TWO 1K'S IN PARALLEL ( ¼ w).  
PIN 6 CONTROL VOLTAGE MUST BE 10 VOLTS FOR FULL OUTPUT.  
**0 - 10 VDC SYSTEMS - OMIT.** (LOCATE RESISTOR AT CONTROL SWITCH).
2. SWITCH SHOULD BE GOLD FLASH CONTACTS FOR LOW SIGNAL LEVEL
3. DO NOT INSTALL 4 - 20 JUMPER (J12) ON DAT210 OR DAT310 BOARDS.

OPTIONAL DIGITAL PANEL METER	
0 - 10V = 100% = 20 ma	
5V = 50% = 10 ma (0 - 20 ma)	
6V = 50% = 12 ma (4 - 20 ma)	